



1LS2



Actual product appearance may vary.

Enclosed Switches Series LS: Side Rotary - Lever Not Included; 1NC 1NO SPDT Snap Action, Double Break; 0.5 in - 14NPT conduit; Compact/Non-Plug-in

Features

- Mode of operation is field adjustable
- NEMA 1, 3, 4, 6, and 13
- Wide choice of heads and actuators
- Variety of operating characteristics
- Captive screws
- UL and CSA approved parts available

Potential Applications

- Machine tools
- Conveyors
- Material handling
- Metal fabrication equipment
- Lift trucks

Description

MICRO SWITCH™ compact LS and plug-in 200LS limit switches have a long record of successful performance in industrial applications. The MICRO SWITCH™ LS fits in many places too small for any other fully adjustable limit switch. The MICRO SWITCH™ 200LS switches are the original plug-in concept for reducing downtime by making changeover simple and fast.

Product Specifications	
Availability	Global
Operating Force (O.F.)	0.51 N m max. [4.5 in lb max.]
Full Overtravel Force	8.13 N m max. [6 in lb max.]
Release Force (R.F.)	0.08 N m min. [0.75 in lb min.]
Pretravel (P.T.)	20° max.
Overtravel (O.T.)	30° min.
Differential Travel (D.T.)	12° max.
Product Type	MICRO SWITCH™ Compact Limit Switches
Actuator	Side Rotary
Lever Style	Lever Not Included - Reference Lever Required Accessory

Circuitry	1NC 1NO SPDT Snap Action, Double-Break
Ampere Rating	10 A Ind./0.8 A Res./0.4 Res./0.1 A Res.
Supply Voltage	120 Vac. 240 Vac. 480 Vac/115 Vdc/230 Vdc/550 Vdc
Housing Material	Zinc Die-Cast
Termination Type	0.5 in - 14NPT conduit
Housing Type	Compact / Non Plug-In
Series Name	LS
Sealing	NEMA 1, 3, 4, 6, 13
Operating Temperature Range	-29 °C to 71 °C [-20 °F to 160 °F]
UNSPSC Code	302119
UNSPSC Commodity	302119 Switches and controls and relays
Sealed	Industrial

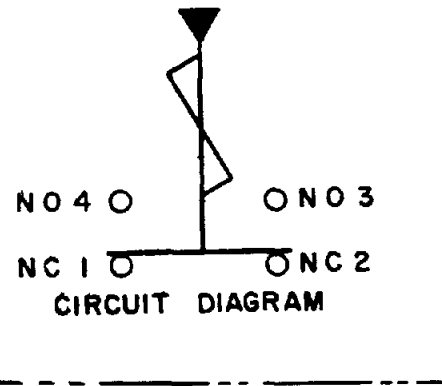
H MICRO SWITCH
 FREEPORT, ILLINOIS, U.S.A.
 A DIVISION OF HONEYWELL

FED. MFG. CODE 91929

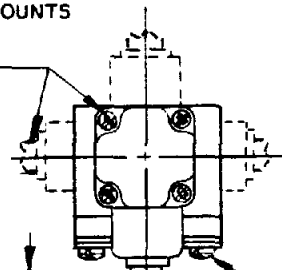
SWITCH - ENCLOSED

CATALOG LISTING

1LS2



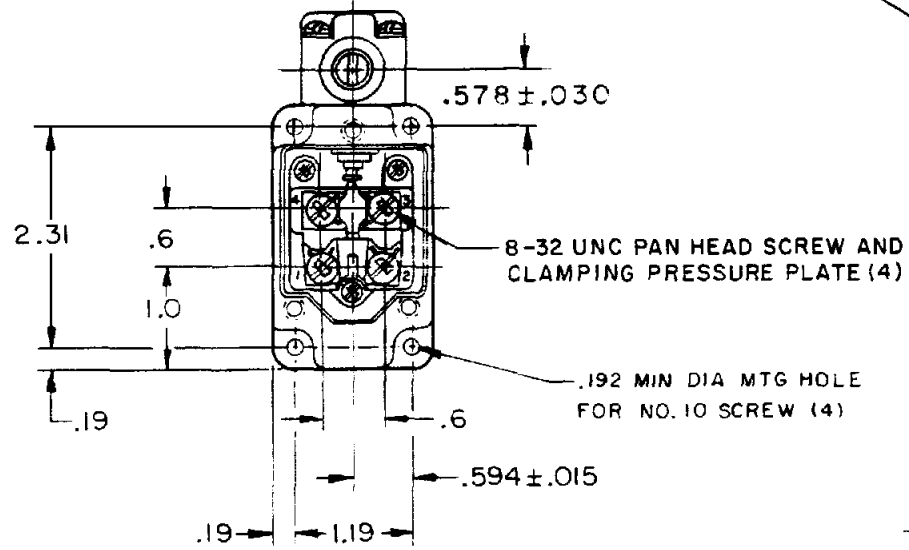
OPERATING HEAD MOUNTS
 IN ANY OF FOUR
 POSITIONS



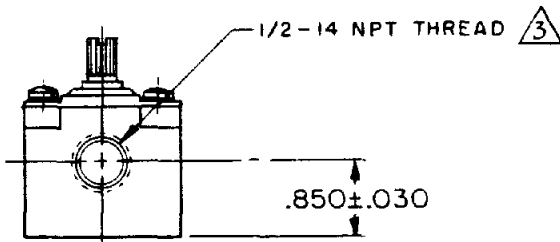
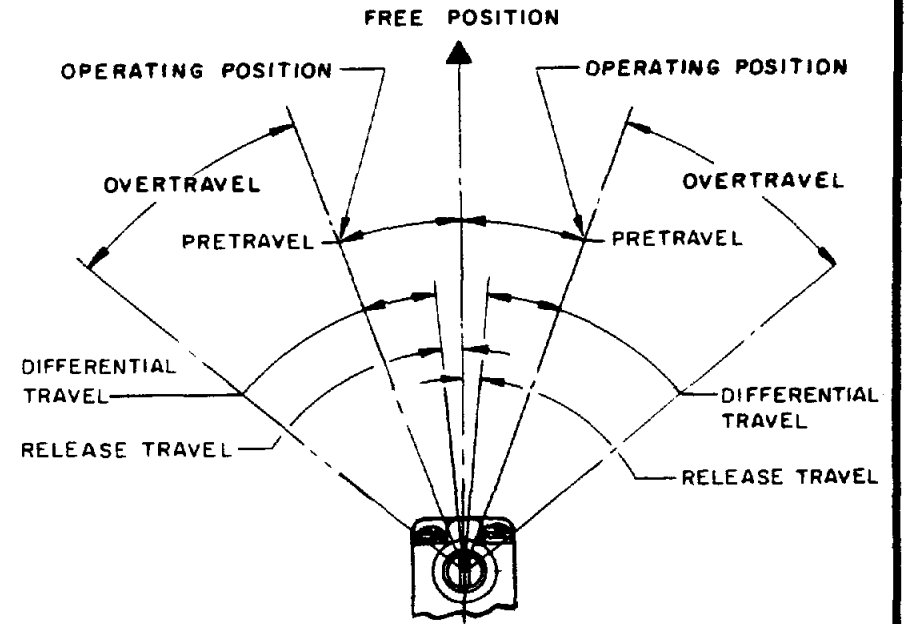
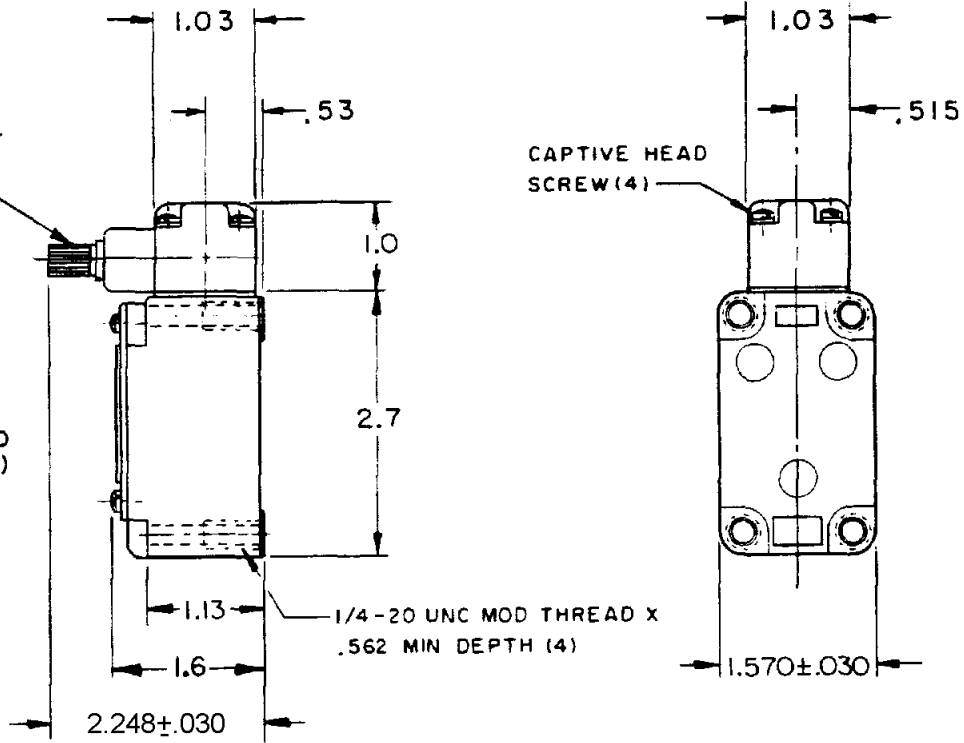
CAPTIVE COVER SCREW (3)

$.410 \pm .030$
 $.285 \pm .003$

HARDENED CORROSION
 RESISTANT STEEL SHAFT
 STRAIGHT KNURL



CAPTIVE HEAD
 SCREW (4)



THIS DRAWING COVERS A PROPRIETARY ITEM AND IS THE PROPERTY OF MICRO SWITCH, A DIVISION OF MINNEAPOLIS-HONEYWELL REGULATOR CO. THIS DRAWING IS NOT TO BE COPIED OR USED WITHOUT THE APPROVAL OF MICRO SWITCH.

CHARACTERISTICS
OPERATING TORQUE — 4 1/2 IN LB MAX
FULL OVERTRAVEL TORQUE — 6 IN LB MAX
RELEASE TORQUE — — — 3/4 IN LB MIN
PRETRAVEL — — — — 20° MAX
DIFFERENTIAL TRAVEL — — — 12° MAX
OVERTRAVEL — — — — 30° MIN
RELEASE TRAVEL — — — — 5° MIN
SWITCH-BASIC REPLACEMENT — — 2 MNI

ELECTRICAL DATA
CONTACT ARRANGEMENT (SEE CIRCUIT DIAGRAM)
10A-120, 240, OR 480 VAC, 1/3 HP - 120 VAC 3/4 HP - 240 VAC; 0.8A - 115 VDC; 0.4A - 230 VDC .1A - 550 VDC PILOT DUTY: 600 VAC MAX

SCALE 1/2 TO 1
DO NOT SCALE PRINT
UNLESS OTHERWISE NOTED: DIMENSIONS ARE IN INCHES
TOLERANCES ARE:
ONE PLACE (.0) $\pm .030$
TWO PLACE (.00) $\pm .015$
THREE PLACE (.000) $\pm .008$
ANGLES ± 1
WEIGHT

- NOTES**
- SWITCH IS ASSEMBLED FOR ACTUATION IN EITHER DIRECTION BUT MAY BE ADJUSTED TO ACTUATE THE SWITCH IN THE CLOCKWISE DIRECTION ONLY. THE COUNTERCLOCKWISE DIRECTION ONLY, OR IN BOTH DIRECTIONS
 - TO CONVERT SWITCH FOR ACTUATION IN EITHER THE CLOCKWISE OR COUNTERCLOCKWISE DIRECTION ONLY, REMOVE ACTUATOR HEAD AND ROTATE THE NOTCHED PLUNGER 90° TO THE RIGHT FOR CLOCKWISE ACTUATION OR 90° TO THE LEFT FOR COUNTERCLOCKWISE ACTUATION
- $\Delta 3$ SEAL TO BE FURNISHED BY USER

CATALOG LISTING 1LS2 PAGE 1 OF 1
 ISSUE 16
 REVISIONS:
 A CO 15200 M B F 17 JUNE 65
 B CO 23403 R E R 26 SEP 68
 C CO 25152 R E R 22 APR 69
 D CO 50952 R E R 22 APR 69
 E CO 53005-D C J H JUN 83
 F CO 65814-E C J H AUG 84
 G CO 77031 G R T 21 NOV 90
 H 202823 J O B 17 DEC 93
 10 APR 01 C S L
 RASTER PO-80378-003 DRAWN M B F 17 JUNE 65 CHECK U C D 23 JUN 65
 REPLACES RELEASE NO. CHECK W O S 21 JUN 65
 M B F 17 JUNE 65